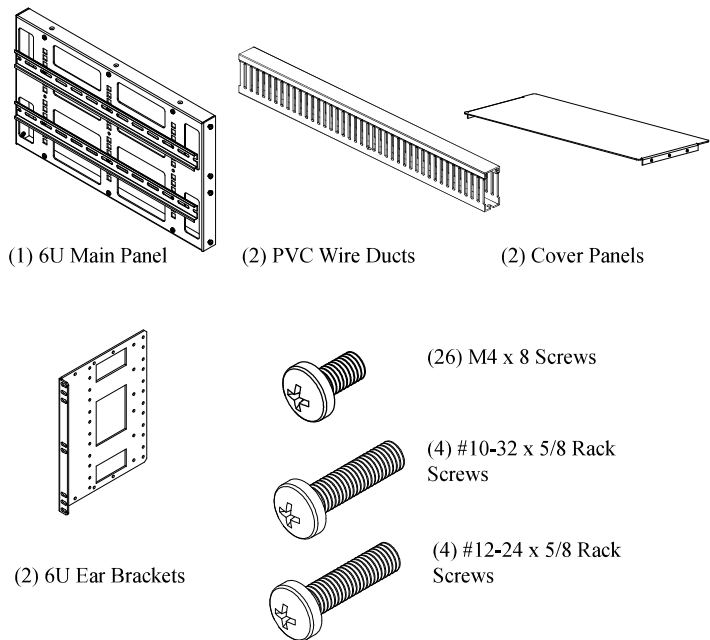


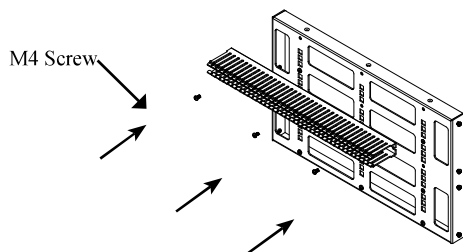
IRP208DB-6U 6U DIN Rail Panel Installation

Included in this package

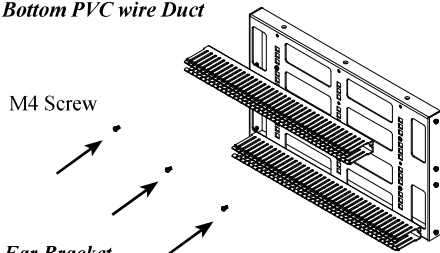


Installation Steps

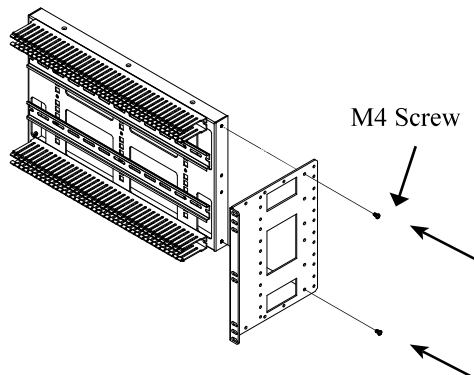
Step 1 Installing PVC Wire Duct



Step 2 Installing Bottom PVC wire Duct

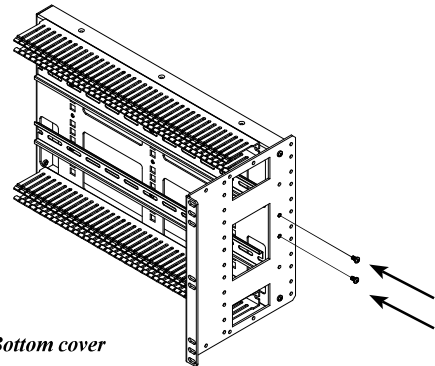


Step 3 Installing Ear Bracket

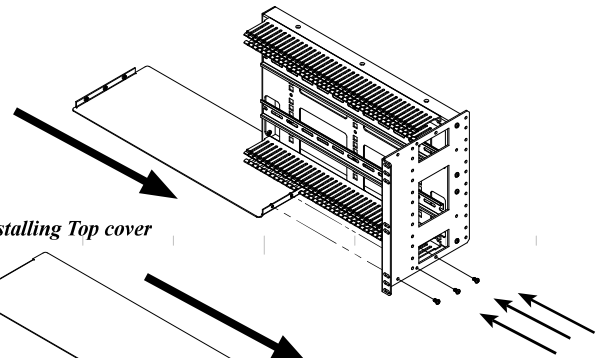


Note: Bottom screw might be little tight when screw in. That is normal.

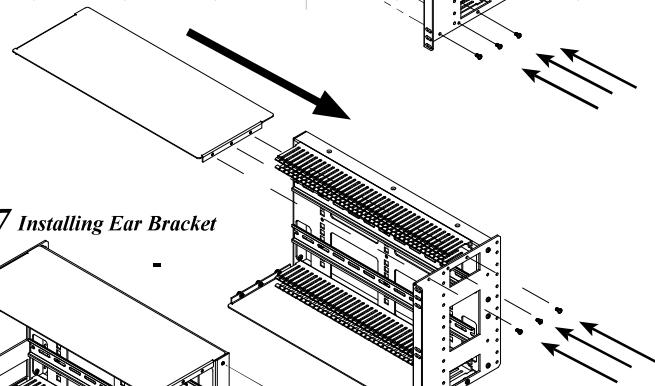
Step 4 Installing middle screws



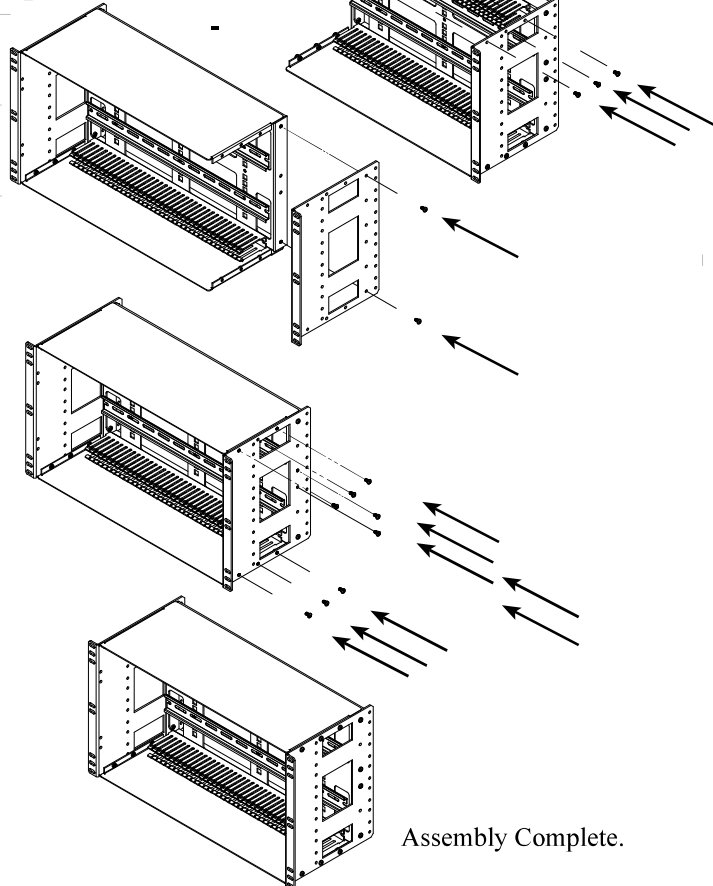
Step 5 Installing Bottom cover



Step 6 Installing Top cover



Step 7 Installing Ear Bracket



Assembly Complete.